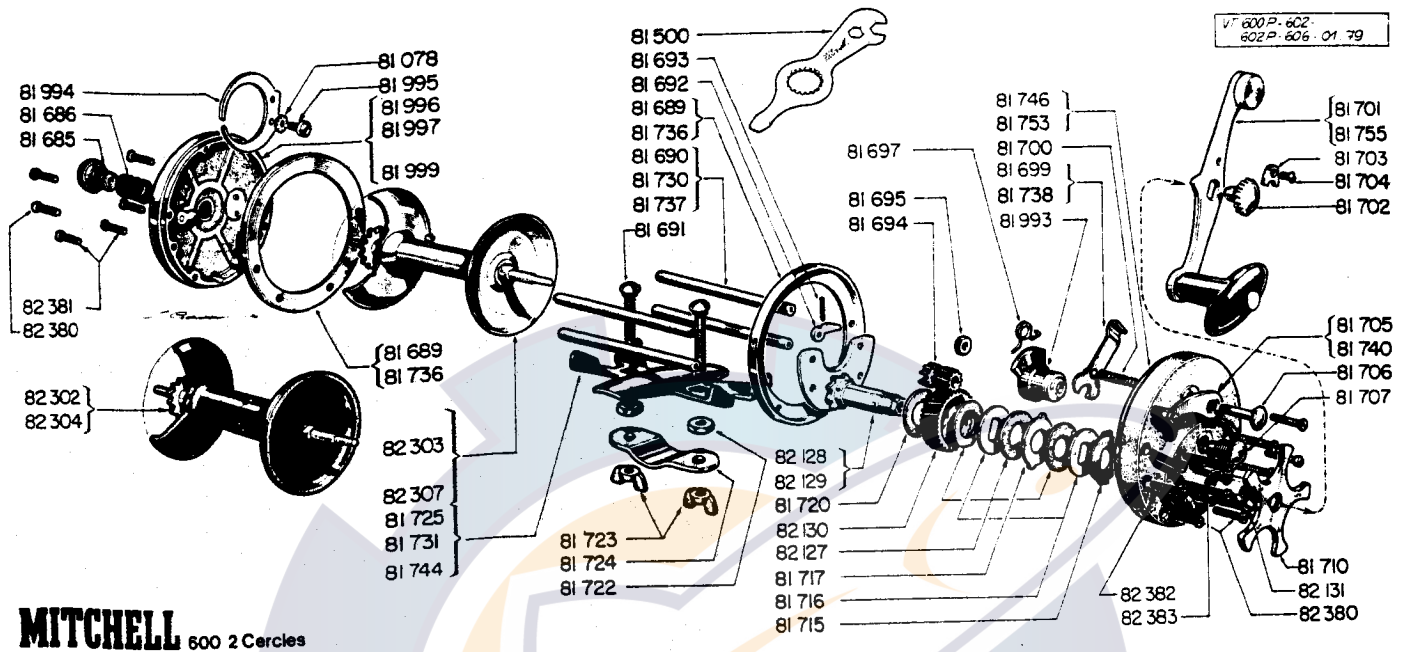


# #2 RING 600



**MITCHELL** 600 2 Cercles

CODE NO.	DESCRIPTION	SUGGESTED RETAIL	CODE NO.	DESCRIPTION	SUGGESTED RETAIL
81078	Bail Wire Lock Washer	.25	81740	Free Spool Lever	1.10
81500	Utility Tool	.85	81744	Reel Foot	7.65
81685	Left Bearing	3.00	81746	Right Side Plate	8.85
81686	Left Bearing Spring	.25	81753	Right Side Plate	9.50
81689	Inner Ring	4.10	*81755	Complete Handle	15.90
81690	Upper Frame Post	1.70	81993	Clutch Cam	1.85
81691	Rod Clamp Screw	.85	81994	Click Spring	.25
81692	Anti Reverse Dog	.40	81995	Click Spring Screw	.25
81693	Anti Reverse Dog Spring	.25	81996	Left Side Plate	8.25
81694	Pinion Gear	7.10	81997	Left Side Plate	8.25
81695	Clutch Assembly Nut	.25	81999	Left Side Plate	10.25
81697	Clutch Cam Spring	.60	82127	Drag Washer	.40
81699	Pinion Yoke	1.45	82128	Gear Bridge w/Main Shaft	11.25
81700	Clutch Spring	.25	82129	Gear Bridge w/Main Shaft	13.05
81701	Handle Complete	11.80	82130	Drive Gear	5.90
81702	Handle Screw	1.50	82131	Drag Sleeve	.90
81703	Handle Screw Lock	.40	82302	Spool Fiberglass	7.15
81704	Handle Lock Screw	.25	82303	Spool Metal	12.15
81705	Free Spool Lever	1.10	82304	Spool Fiberglass	6.70
81706	Free Spool Lever Screw	.85	82307	Spool Metal	14.00
81707	Right Bearing	1.45	82380	Right Side Plate Screw	.30
81710	Star Wheel	4.10	82381	Screw M 3 x 9.5	.30
81715	Keyed Spring Washer	1.10	82382	Right Reel Foot Screw	.30
81716	Drag Disk	.25	82383	Bridge and Side Plate Screw	.40
81717	Keyed Washer	.25			
81720	Base Drag Washer	.25			
81722	Rod Clamp Lock Nut	.40			
81723	Rod Clamp Wing Nut	1.05			
81724	Rod Clamp	2.40			
81725	Reel Foot	7.65			
81730	Upper Frame Post	1.50			
81731	Reel Foot	7.10			
81736	Inner Ring	4.40			
81737	Upper Frame Post	1.50			
81738	Pinion Yoke	1.50			

\*When present inventory is depleted, this part will be replaced by another number. Please refer to chart in back of book.